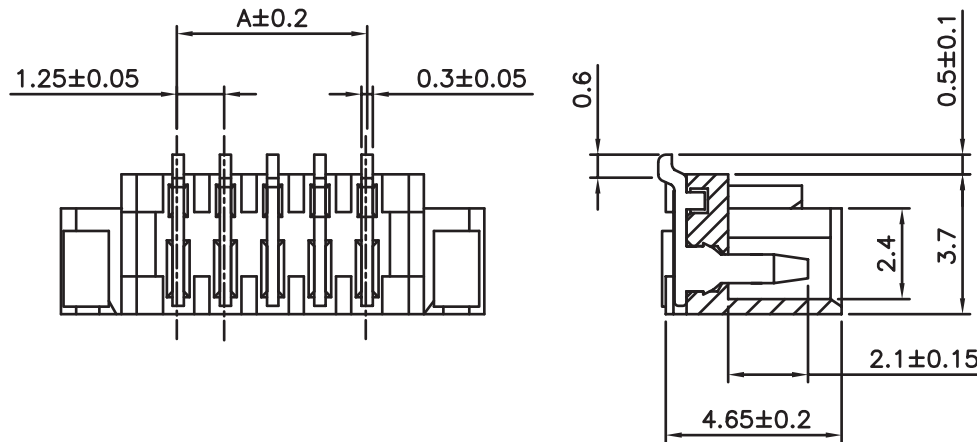
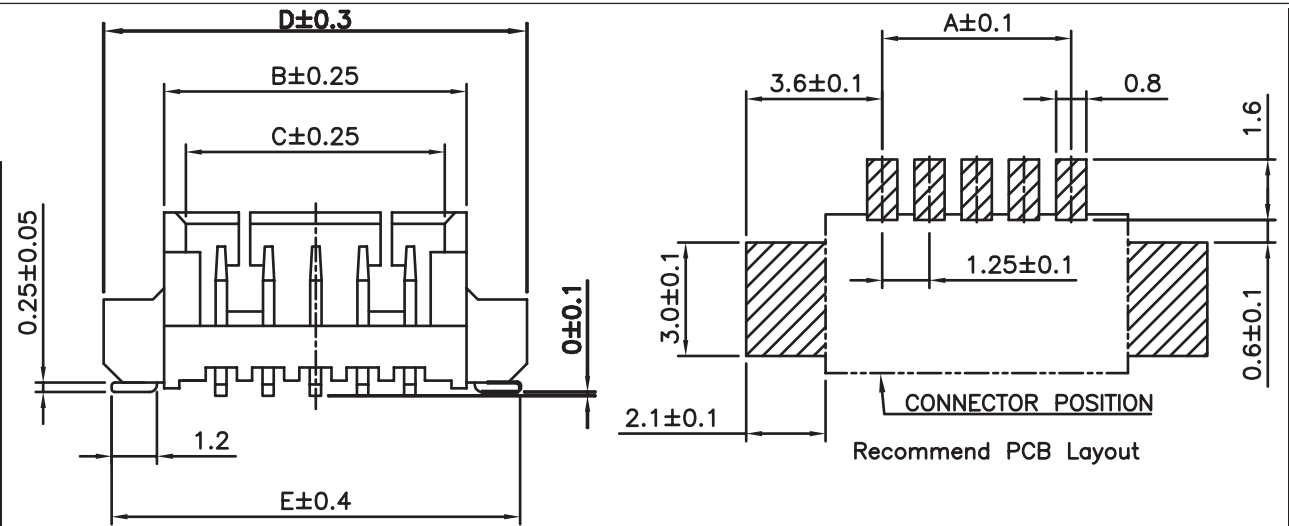


Poles	Dimensions (mm)				
	A	B	C	D	E
2	1.25	4.25	3.05	7.65	7.25
3	2.50	5.50	4.30	8.90	8.50
4	3.75	6.75	5.55	10.15	9.75
5	5.00	8.00	6.80	11.40	11.00
6	6.25	9.25	8.05	12.65	12.25
7	7.50	10.50	9.30	13.90	13.50
8	8.75	11.75	10.55	15.15	14.75
9	10.00	13.00	11.80	16.40	16.00
10	11.25	14.25	13.05	17.65	17.25
11	12.50	15.50	14.30	18.90	18.50
12	13.75	16.75	15.55	20.15	19.75
13	15.00	18.00	16.80	21.40	21.00
14	16.25	19.25	18.05	22.65	22.25
15	17.50	20.50	19.30	23.90	23.50



■ SPECIFICATIONS

- Voltage Rating : 250V AC/DC
- Current Rating : 1A AC/DC
- Withstanding Voltage : 250V AC /minute
- Insulation Resistance : 100MΩ min
- Temperature Range : - 40°C to + 85°C
- Contact Resistance : 20mΩ max

■ WAFER

- **Circuits:** 2 - 15
- **Material :** Contact : Copper Alloy
Base : Nylon PA46 UL94V-0
- **Finish :** Tin Plated
- **Q' ty :** 1,000 pcs./Tape & Reel

HOW TO ORDER:

W 1 2 5 - X X 3 0 - 1 0 0 - Z

OF POSITIONS:

(1 - 15)
(00 - For Contacts)

HOUSING & TERMINATION TYPE:

3 - VERTICAL HEADER (SURFACE MOUNT)

PACKAGING:

1 - TAPE & REEL

RoHS

COMPLIANT:

Rev		Apv.	Date
0	Issued	D.H.	3/08/04
1	Revised	MDH	10/15/04

SMP TECHNOLOGY, INC.

Header, 1.25mm Pitch, Surface Mount; Vertical/ Straight

SCALE	MAT'L	FINISH
TOL. DEC.	.X +/-	.XX +/-
		.XXX +/-
		ANGLE +/-
		UNIT: mm

P/N: W125-XX30-100-Z