

MATERIAL & FINISH:

Shell: Steel Material, Front Shell Tin Finished
 Back Shell Tin Finished
 Dimples on plug only
 Insulator: PBT Thermoplastic, 30% Glass Filled
 Signal Contact: Copper Alloy, Full Gold Plating
 High Power Contact: Copper Alloy;
 Full Gold Plating or Selective Gold Plated in Contact Mating/
 Matte Tin Plating on Remainder of Contact
 ScrewlOCKs: Tin Plated Steel

ELECTRICAL:

High Power Contact Current Rating: 10 AMPS
 High Power Contact Resistance: 1.0 Milliohms MAX.
 Signal Contact Current Rating: 5.0 AMPS
 Signal Contact Resistance: 2.7 milliohms MAX.
 Dielectric Withstanding Voltage: 1000 VAC For 1 Minute
 Insulation Resistance: 5000 Gigaohms
 Temperature Rating: -55C ~ 125C

MECHANICAL:

⚠ Female Screwlock w/ Nylok Insert Torque Value - .056 N*m (Newton Meter) Min.

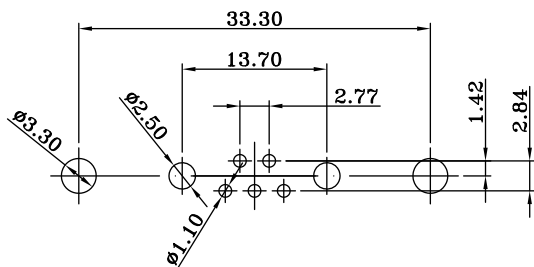
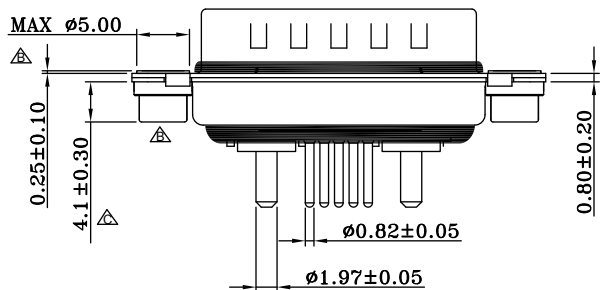
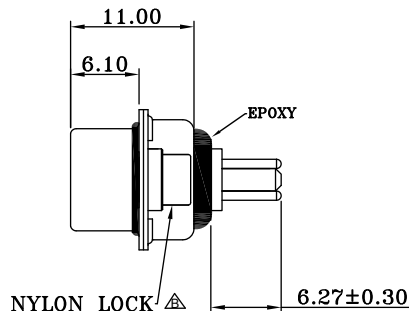
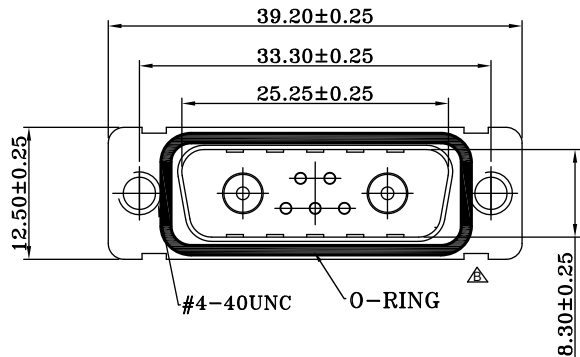
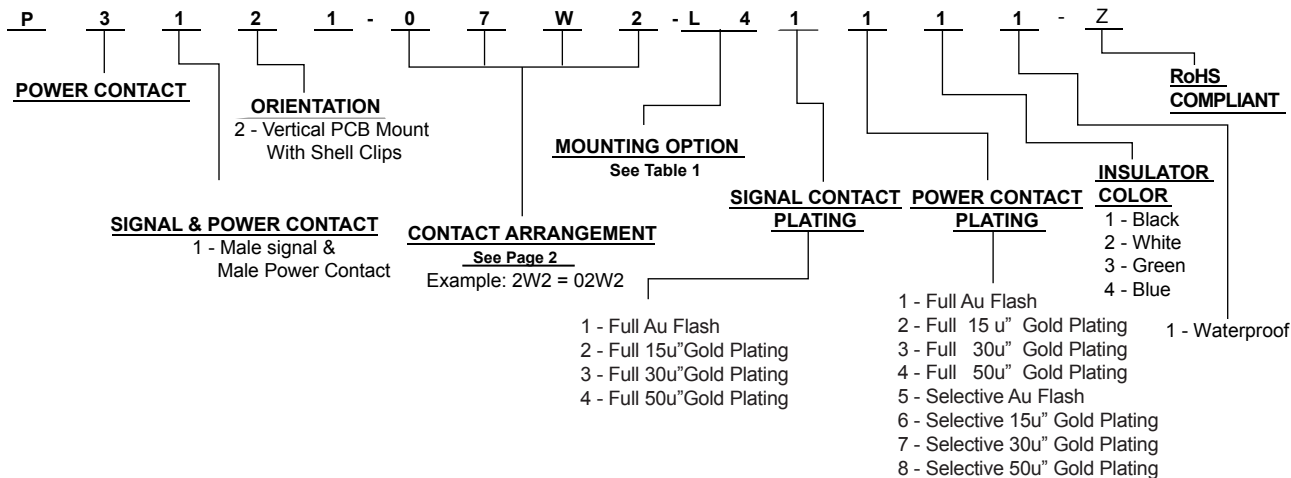


TABLE - 1 MOUNTING OPTIONS

10	11	12	13	14	15

For Mounting Options 11, 12 & 13 with Nylok installed on inside threads - replace the "1" with the letter L.
 Example: Option 11 with Nylok installed - use mounting option L1.

HOW TO ORDER:



SCALE: N/A

Rev	Drawn	Checked	Approved	Date
0 Issued	B.S.	S.M.	S.M.	04/25/14
TOL. DEC.	.X +/- 0.3	.XX +/- 0.20	.XXX +/- 0.10	ANGLE +/- 3° UNIT: mm

SMP TECHNOLOGY, INC.

COMBO POWER + SIGNAL D - SUB CONNECTOR; VERTICAL MOUNT;




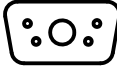







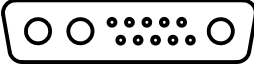
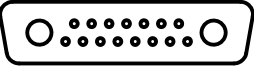



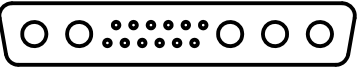
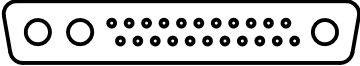
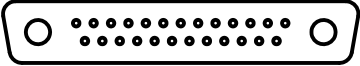
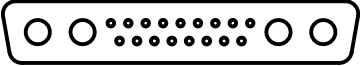
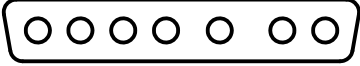

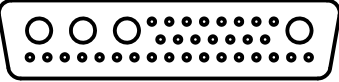
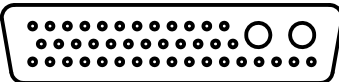
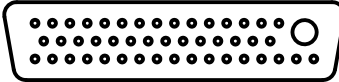
PLUG TYPE, WATERPROOF

P/N: P3121-07W2-L41111-Z

Pg: 1 of 3

SHELL SIZE

CONTACT ARRANGEMENT

<p>09</p>	<div style="display: flex; justify-content: space-around; align-items: center;"> <div style="text-align: center;">  <p>2WK2 (MALE)</p> </div> <div style="text-align: center;">  <p>2WK2 (FEMALE)</p> </div> <div style="text-align: center;">  <p>2W2</p> </div> <div style="text-align: center;">  <p>5W1</p> </div> </div>
<p>15</p>	<div style="display: flex; justify-content: space-around; align-items: center;"> <div style="text-align: center;">  <p>3WK3 (FEMALE)</p> </div> <div style="text-align: center;">  <p>3WK3 (MALE)</p> </div> <div style="text-align: center;">  <p>3W3</p> </div> <div style="text-align: center;">  <p>7W2</p> </div> <div style="text-align: center;">  <p>11W1</p> </div> </div>
<p>25</p>	<div style="display: flex; flex-wrap: wrap; justify-content: space-around; align-items: center;"> <div style="text-align: center; width: 30%;">  <p>5W5</p> </div> <div style="text-align: center; width: 30%;">  <p>9W4</p> </div> <div style="text-align: center; width: 30%;">  <p>13W3</p> </div> <div style="text-align: center; width: 30%;">  <p>17W2</p> </div> <div style="text-align: center; width: 30%;">  <p>21W1</p> </div> </div>
<p>37</p>	<div style="display: flex; flex-wrap: wrap; justify-content: space-around; align-items: center;"> <div style="text-align: center; width: 30%;">  <p>8W8</p> </div> <div style="text-align: center; width: 30%;">  <p>13W6</p> </div> <div style="text-align: center; width: 30%;">  <p>17W5</p> </div> <div style="text-align: center; width: 30%;">  <p>25W3</p> </div> <div style="text-align: center; width: 30%;">  <p>27W2</p> </div> <div style="text-align: center; width: 30%;">  <p>21W4</p> </div> <div style="text-align: center; width: 30%;">  <p>7W7</p> </div> </div>
<p>50</p>	<div style="display: flex; flex-wrap: wrap; justify-content: space-around; align-items: center;"> <div style="text-align: center; width: 30%;">  <p>24W7</p> </div> <div style="text-align: center; width: 30%;">  <p>36W4</p> </div> <div style="text-align: center; width: 30%;">  <p>43W2</p> </div> <div style="text-align: center; width: 30%;">  <p>47W1</p> </div> </div>

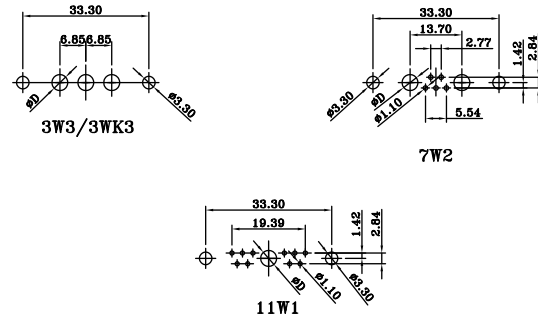
SMP TECHNOLOGY, INC.

PCB LAYOUT FOR VERTICAL POWER CONTACT + SIGNAL CONTACT

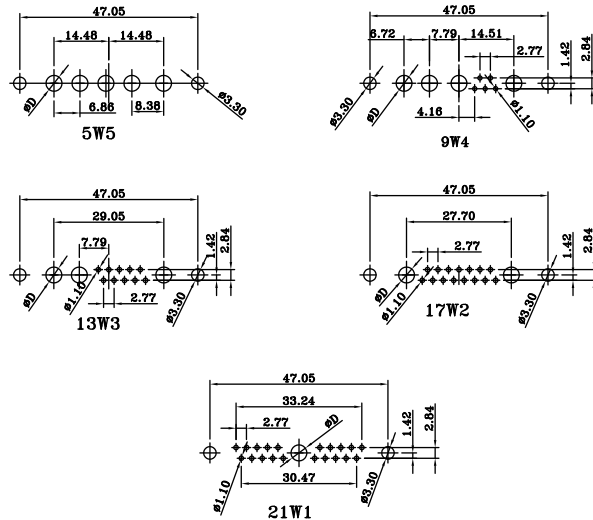
SHELL 09



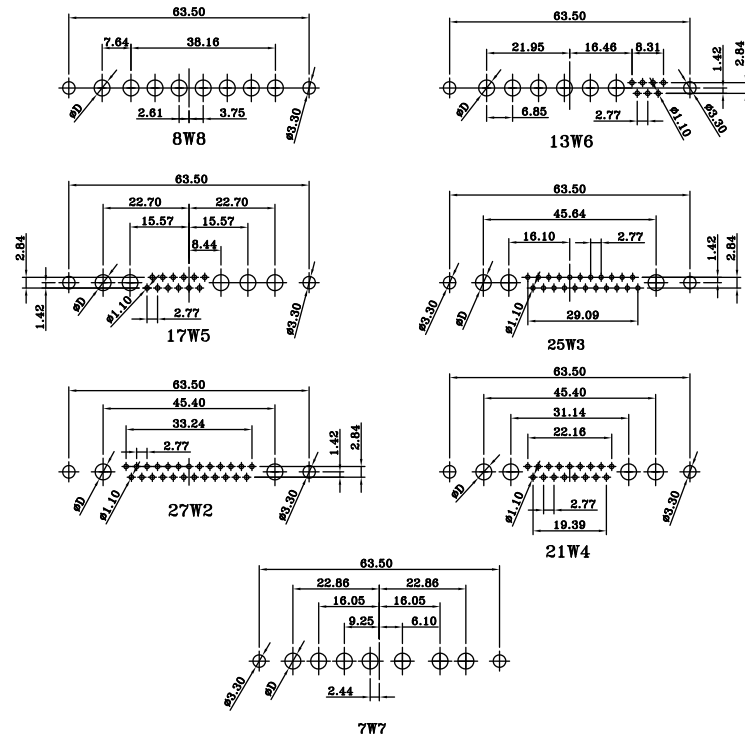
SHELL 15



SHELL 25



SHELL 37



SHELL 50

