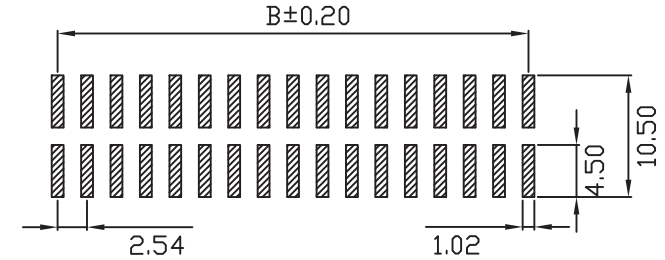
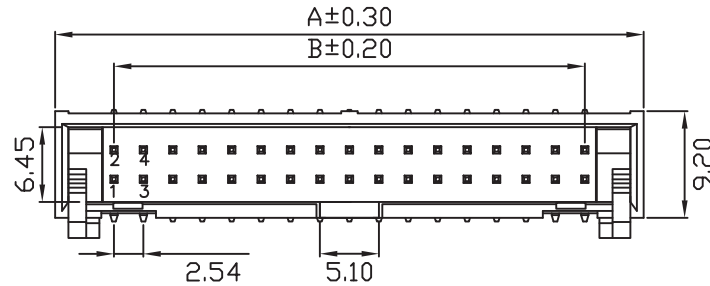
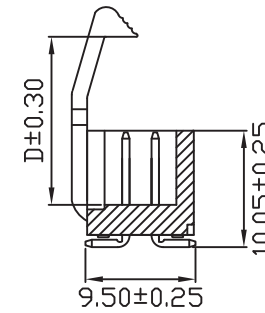
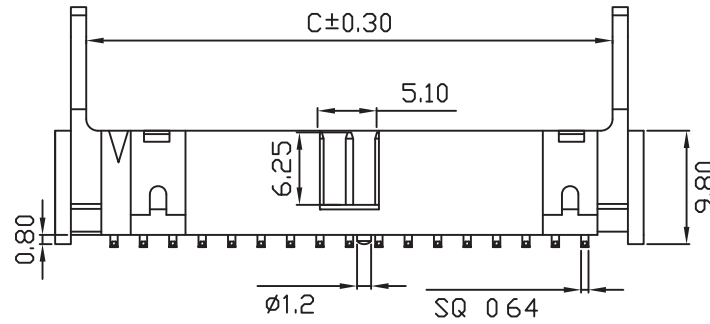


Pos.	Dim. A	Dim. B	Dim. C
06	15.24	5.08	9.86
08	17.78	7.62	12.40
10	20.32	10.16	14.94
14	25.40	15.24	20.02
16	27.94	17.78	22.56
20	33.02	22.86	27.64
26	40.64	30.48	35.26
30	45.72	35.56	40.34
34	50.80	40.64	45.42
40	58.42	48.26	53.04
50	71.12	60.96	65.74
60	83.82	73.66	78.44
64	88.90	78.74	83.52



Recommended P.C.B Layout (Top Side)
(PCB BOARD TOLERANCE ±0.05)

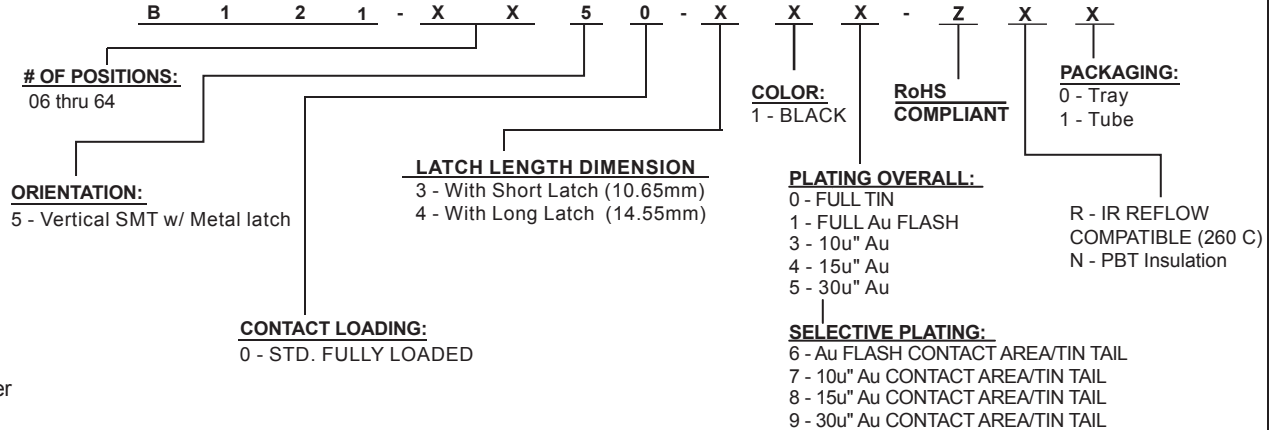
ELECTRICAL:

CURRENT: 3 AMP
 VOLTAGE RATING: 350V
 CONTACT RESISTANCE: 20 Milliohms Max.
 INSULATOR RESISTANCE: 1000 Megaohms Min
 DIELECTRIC WITHSTANDING VOLTAGE: 1000VAC FOR 1 MIN.
 OPERATING TEMPERATURE: -40° C TO +105° C

MATERIAL

INSULATOR OPTIONS: PBT & 30% Glass Fiber UL94V-0 or
 NYLON 6T UL94V-0 (260 C Rated - 10 Sec) - Add R to Part Number
 CONTACT: Copper Alloy
 PLATING: Gold and/or Matte Tin over 50 Microinches Nickel

HOW TO ORDER:



Rev	Drawn	Checked	Approved	Date	
0	Issued	B.S.	S.M.	S.M.	04/14/11

SMP TECHNOLOGY, INC.

Box Header, 2.54mm Pitch, Vertical SMT, Reflow Compatible

TOL. DEC. .X +/- 0.40 .XX +/- 0.25 .XXX +/- 0.15 ANGLE +/- UNIT: mm

SERIES: B 1 2 1 - X X 5 0 - X X X - Z X X