

ELECTRICAL:

CURRENT: 0.3A
 VOLTAGE RATING: 50V AC
 OPERATING TEMPERATURE: -40° C TO +90° C
 STORAGE TEMPERATURE: -40° C TO +90° C

MATERIAL:

INSULATOR: LCP +30% GLASS REINFORCED (UL94V-0)
 CONTACT: PHOSPHOR BRONZE, C5210R-SH
 METAL: STAINLESS STEEL, JIS SUS304-3/4H
 PLATING: SELECTIVE GOLD ON CONTACT AREA;
 MATTE TIN (100u" min.) ON SOLDING AREA.; 50u" NICKEL UNDER PLATE

HOW TO ORDER:

B 0 3 1 - 1 5 1 X - 0 0 X - Z

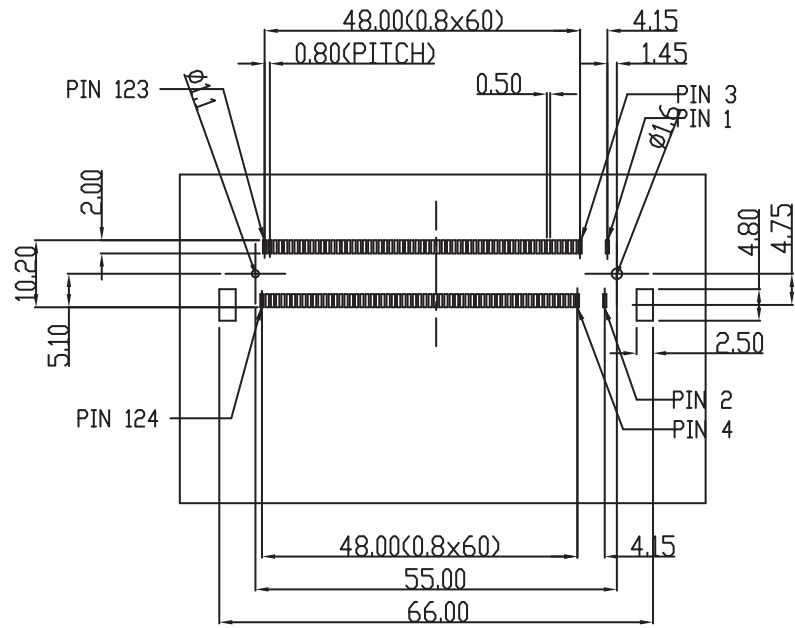
NUMBER OF POSITIONS: 124
HEIGHT: 5 - 9.2mm
COLOR: 0 - Beige, 1 - Black
PACKAGING: 0 - Tray
SELECTIVE PLATING: 1 - 5u" Au, 2 - 10u" Au, 4 - 15u" Au, 5 - 30u" Au

RoHS COMPLIANT:

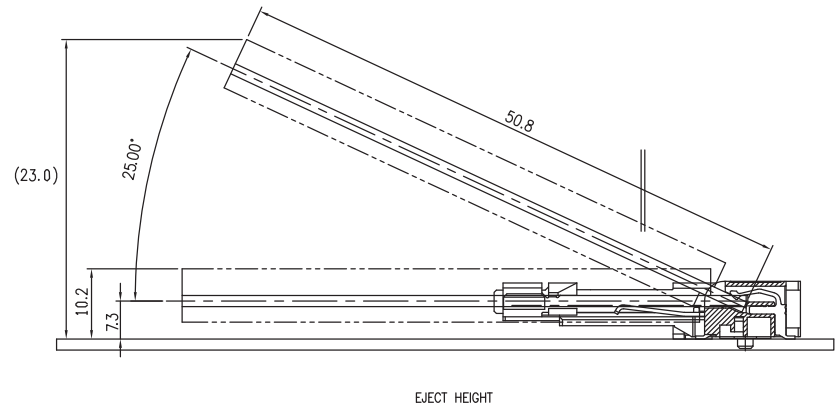
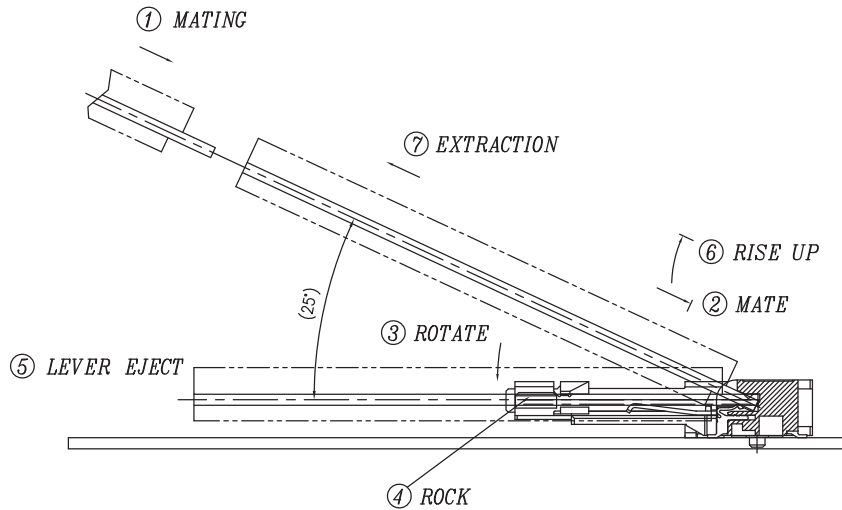
Rev	Drawn	Checked	Approved	Date
0	A.M.	S.M.	S.M.	01/13/05
A	G.T.	S.M.	S.M.	11/21/05
B	B.S.	S.M.	S.M.	1/15/07
C	B.S.	S.M.	S.M.	1/08/08
D	B.S.	S.M.	S.M.	04/07/09
E	B.S.	S.M.	S.M.	10/15/09

SMP TECHNOLOGY, INC.	
Mini PCI, Fax Modem Socket, 124 Position, Right Angle	
Surface Mount, 9.2mm Height, Metal Latch	
P/N: B031-151X-00X-Z	Pg: 1/3

TOL. DEC. .X +/- 0.25 .XX +/- 0.20 .XXX +/- 0.15 ANGLE +/- 5° UNIT: mm



Recommended PC Board Layout

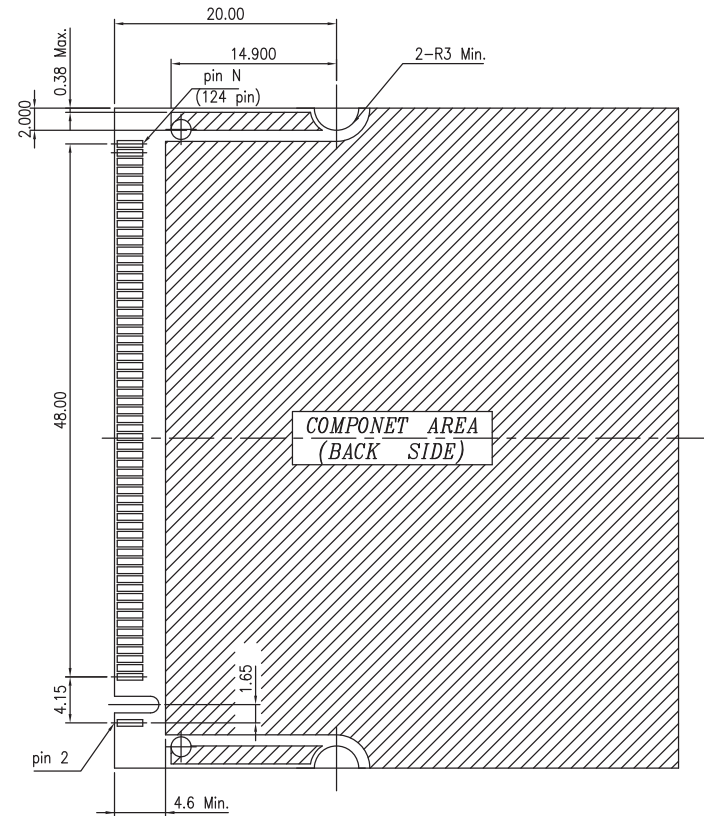
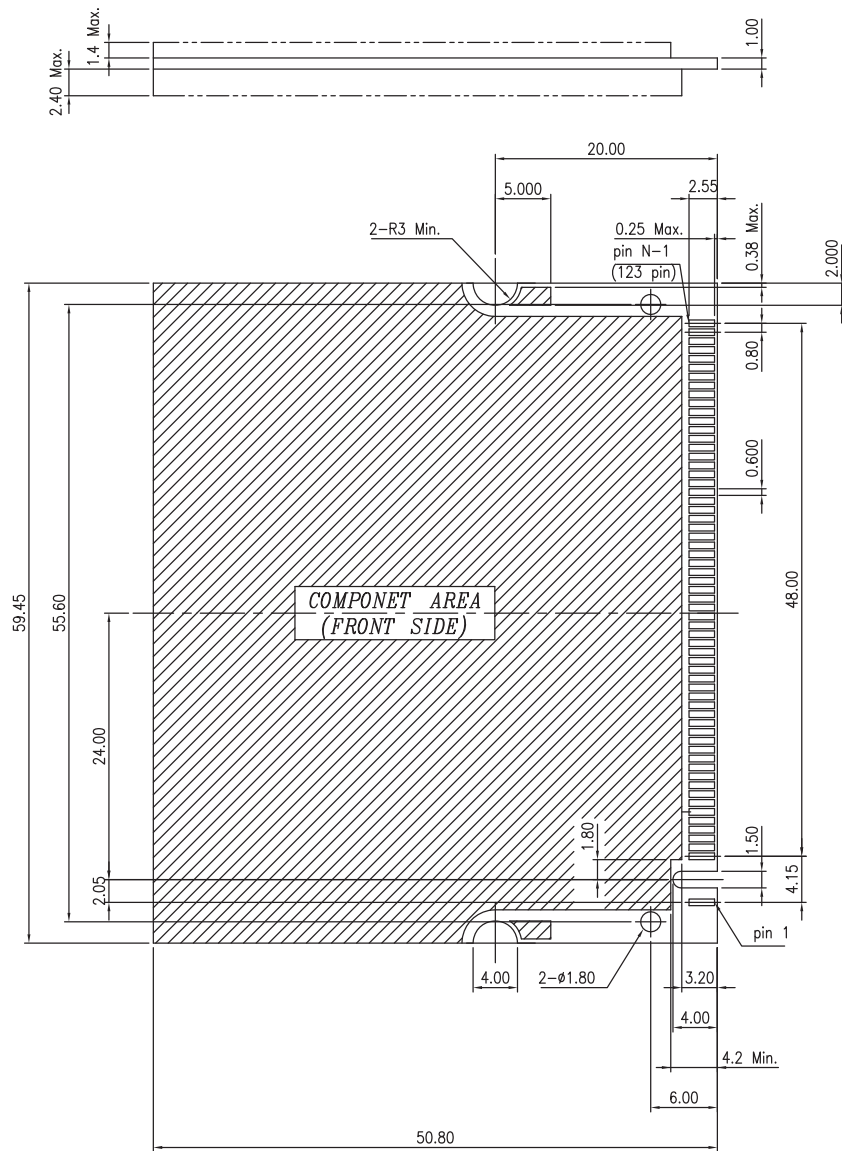


HOW TO MATE AND UNMATE
 MATE: ① ~ ④
 UNMATE: ⑤ ~ ⑦

SMP TECHNOLOGY, INC.

Mini PCI, Fax Modem Socket, 124 Position, Right Angle

Surface Mount, 9.2mm Height, Metal Latch



SMP TECHNOLOGY, INC.

Mini PCI, Fax Modem Socket, 124 Position, Right Angle

Surface Mount, 9.20mm Height, Metal Latch