

ELECTRICAL:

CURRENT: 0.3A
 VOLTAGE RATING: 50V AC
 OPERATING TEMPERATURE: -40° C TO +90° C
 STORAGE TEMPERATURE: -40° C TO +90° C

MATERIAL:

INSULATOR: LCP +30% GLASS REINFORCED (UL94V-0)
 CONTACT: PHOSPHOR BRONZE, C5210R-SH
 METAL: STAINLESS STEEL, JIS SUS304-3/4H
 PLATING: SELECTIVE GOLD ON CONTACT AREA;
 MATTE TIN (100u" min.) ON SOLDING AREA.; 50u" NICKEL UNDER PLATE

HOW TO ORDER:

B 0 3 1 - 1 1 1 1 - 0 X X - Z

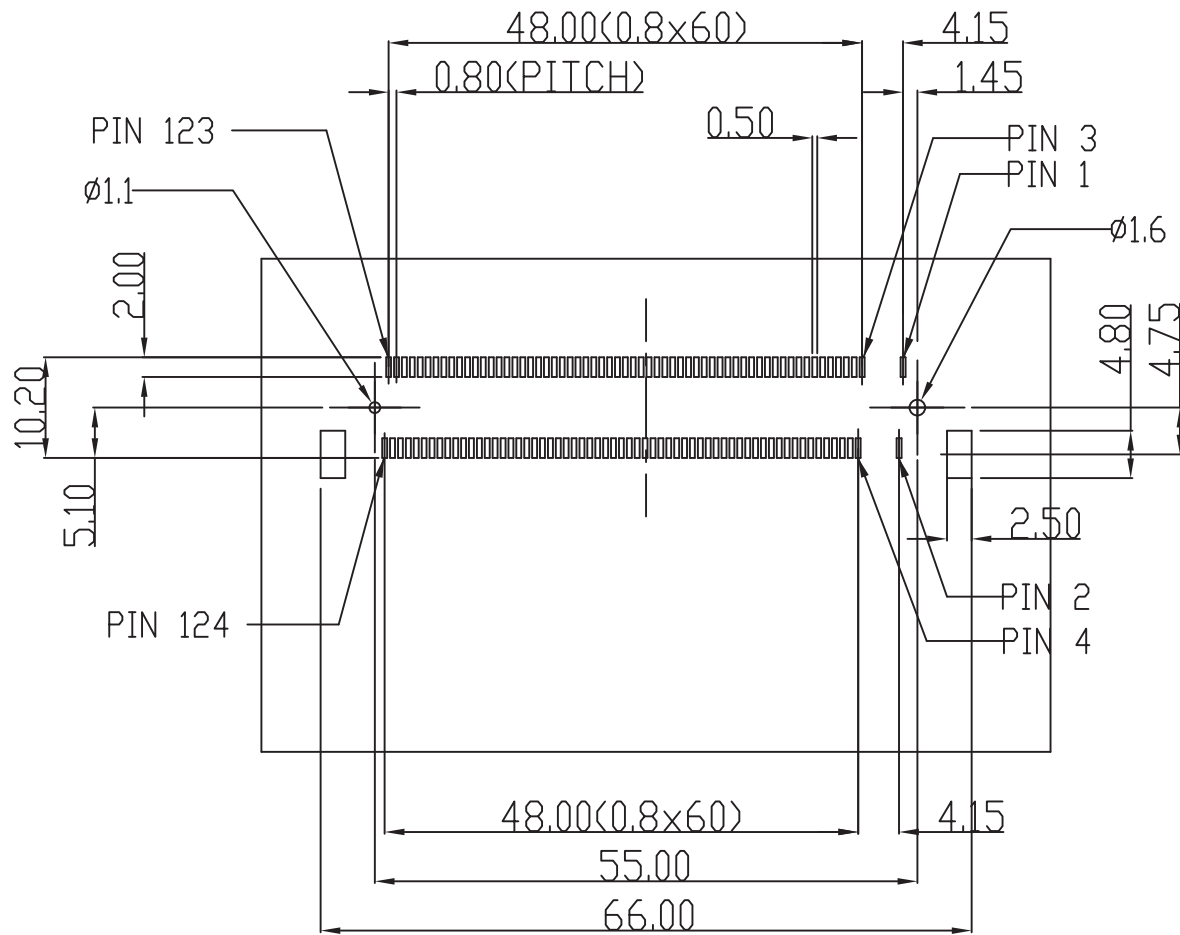
NUMBER OF POSITIONS: 124
HEIGHT: 1 - 4.00mm
COLOR: 1 - Black
PACKAGING: 0 - Tray
 1 - Tape & Reel
SELECTIVE PLATING: 1 - 5u" Au
 2 - 10u" Au
 4 - 15u" Au
 5 - 30u" Au

LATCH:
 1 - Metal Latch

RoHS COMPLIANT:

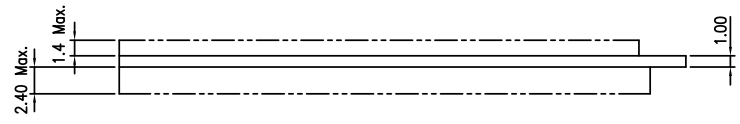
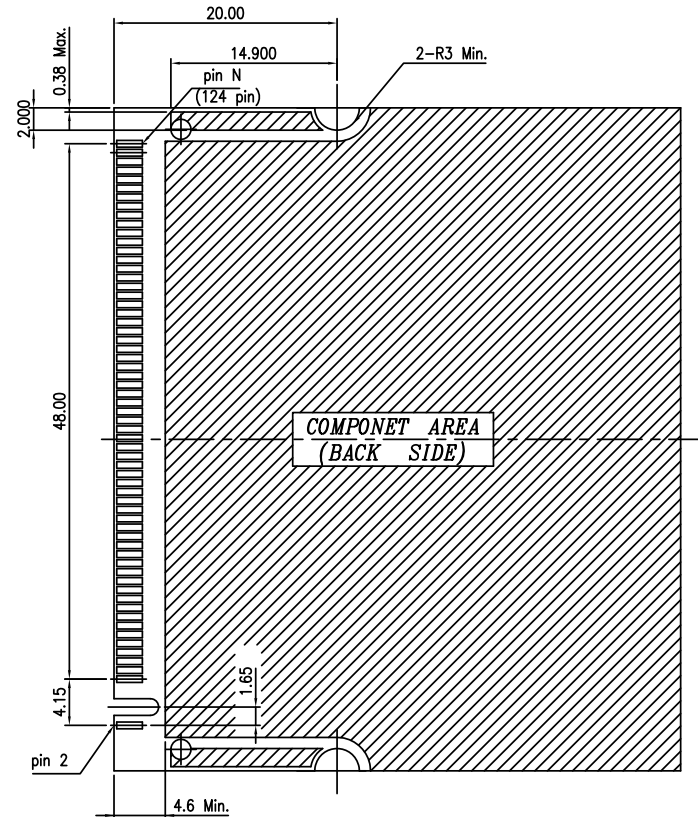
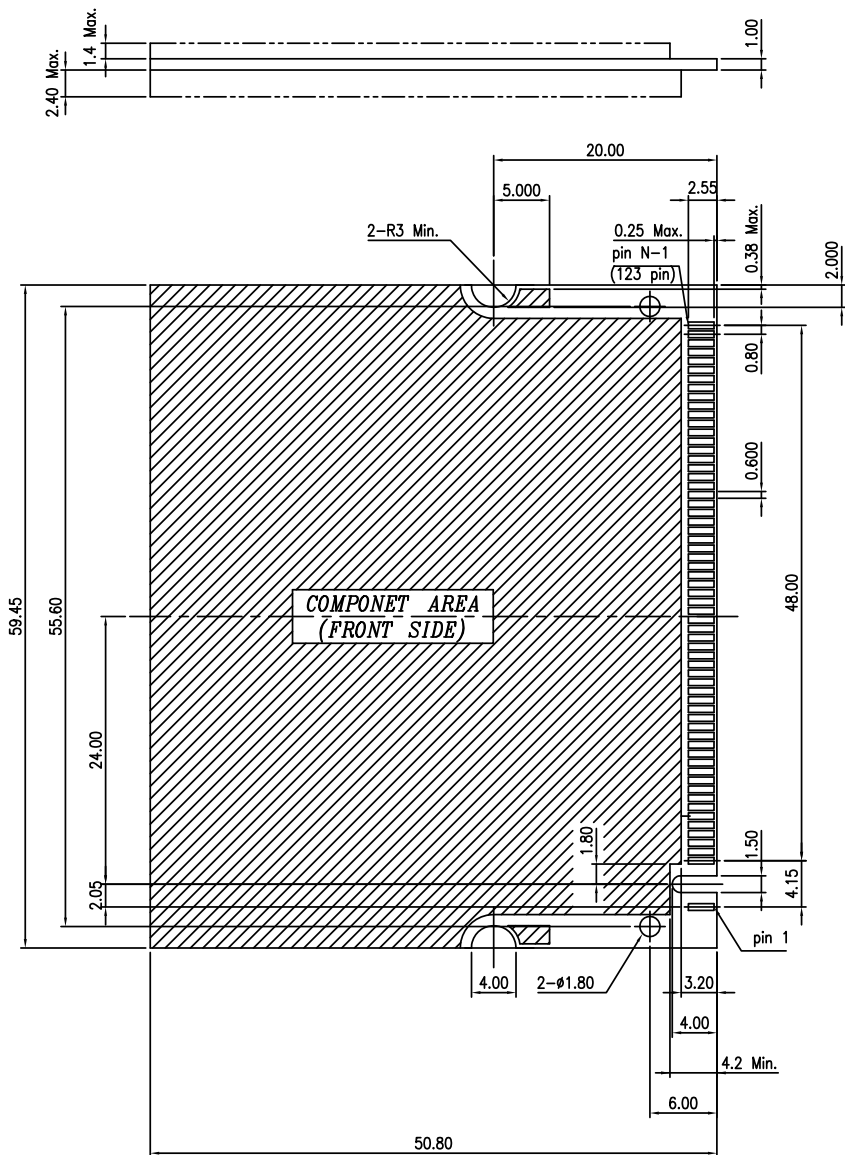
Rev	Drawn	Checked	Approved	Date
0 Issued	B.S.	S.M.	S.M.	10/08/09

SMP TECHNOLOGY, INC.	
Mini PCI, Fax Modem Socket, 124 Position, Right Angle	
Surface Mount, 4.00mm Height, Metal Latch	



Recommended PC Board Layout

					SMP TECHNOLOGY, INC.
					Mini PCI, Fax Modem Socket, 124 Position, Right Angle
					Surface Mount, 4.00mm Height, Metal Latch
TOL. DEC.	.X +/-	.XX +/-	.XXX +/-	ANGLE +/-	UNIT: mm
					P/N: B031-1111-0XX-Z
					Pg: 2/3



					SMP TECHNOLOGY, INC.	
					Mini PCI, Fax Modem Socket, 124 Position, Right Angle	
					Surface Mount, 4.00mm Height, Metal Latch	
TOL. DEC.	.X +/-	.XX +/-	.XXX +/-	ANGLE +/-	UNIT: mm	P/N: B031-1111-0XX-Z
						Pg: 3/3