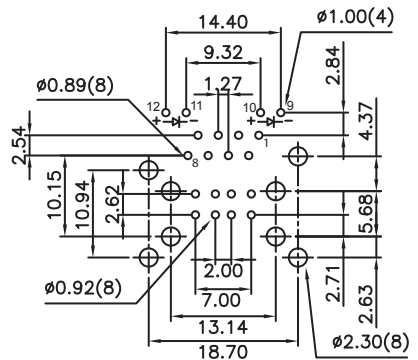
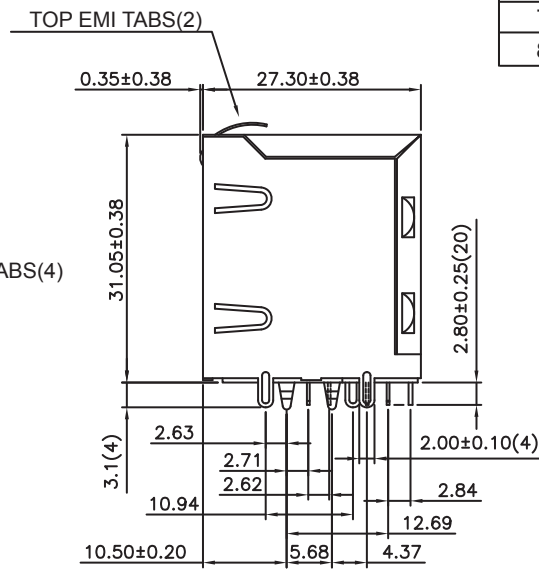
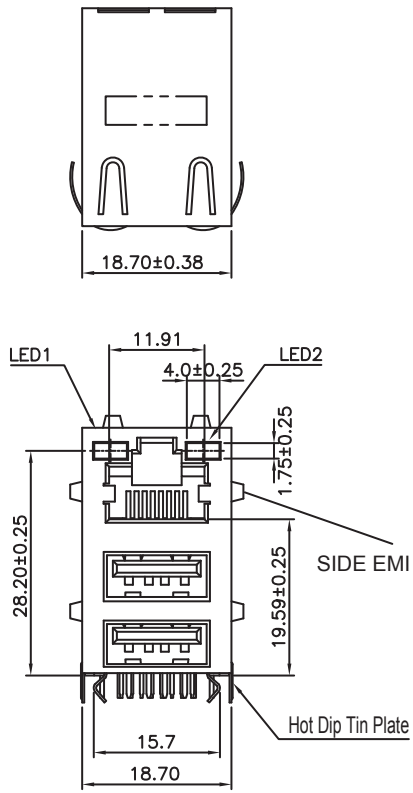


LED OPTION TABLE:

OPTION	FORWARD	REVERSE
G	GREEN	-----
Y	YELLOW	-----
R	RED	-----
1	GREEN	ORANGE
2	YELLOW	ORANGE
3	GREEN	RED
4	YELLOW	RED
5	GREEN	YELLOW
6	YELLOW	GREEN
7	RED	GREEN
8	RED	YELLOW



Recommended PCB Layout



ELECTRICAL:

CURRENT RATING: 1.5A Min.
 CONTACT RESISTANCE:
 < 20 Milliohm Max.
 INSULATION RESISTANCE:
 > 500 Megaohm Min.
 DIELECTRIC WITHSTANDING VOLTAGE:
 1000V (rms) AC for 1 Minute
 OPERATING TEMPERATURE:
 -40° C to +85° C

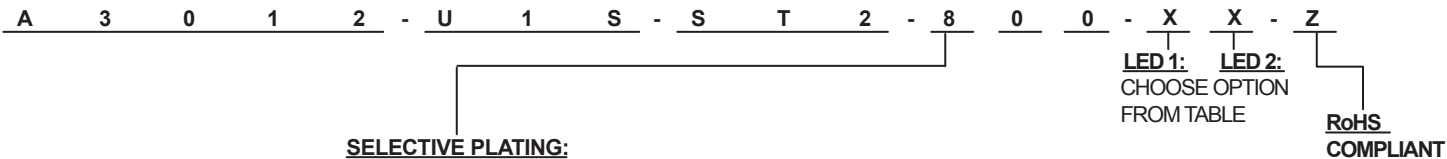
MATERIAL:

INSULATOR: Thermoplastic PBT, Black
 Flamability Rating (UL94V-0)
 CONTACT: 0.35mm Thickness Phosphor Bronze
 CONTACT PLATING: Nickel Plated and With Specified Au Thickness

MECHANICAL:

DURABILITY: 500 Mating Cycles Min.

HOW TO ORDER:



SELECTIVE PLATING:

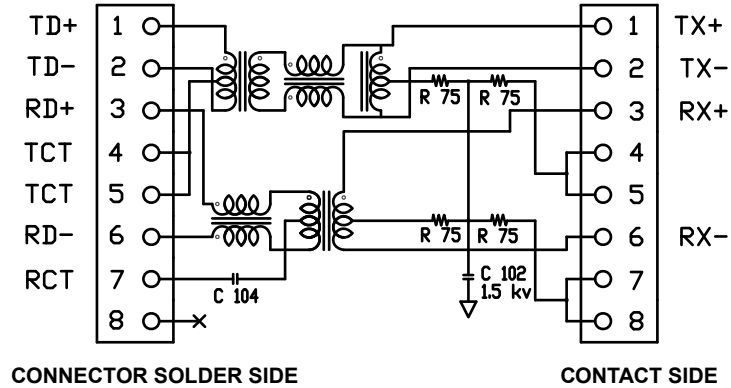
- 6 - Au CONTACT AREA/TIN TAIL
- 7 - 15u" Au CONTACT AREA/TIN TAIL
- 8 - 30u" Au CONTACT AREA/TIN TAIL
- 9 - 50u" Au CONTACT AREA/TIN TAIL

Rev	Drawn	Checked	Approved	Date
0	Relssued	B.S.	S.M.	S.M.

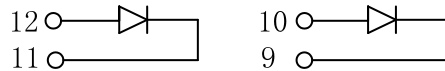
SMP TECHNOLOGY, INC.

RJ45 / USB, With Transformer Type 1, w/ LED, Shielded, EMI Spring Tabs

TRANSFORMER TYPE 1



CONNECTOR SCHEMATIC



LED SCHEMATIC

Specification :

Item	Parameter	Condition	Min.	Typ.	Max.	Unit	Remark
1.	Insertion loss	1-100 MHz			-1	dB	
2.	Return loss	1-30 MHz	-18			dB	
		30-60 MHz	-12			dB	
		60-80 MHz	-12			dB	
3.	Comm. To Diff. Rejection	100KHz-100MHz	-35			dB	
4.	Comm. To Comm. Rejection	-30 min@1MHz to 50Mhz -20 min@5MHz to 150Mhz					
5.	OCL	100KHz	350			uH	
6.	Crosstalk	100 KHz - 100 MHz	-35			dB	
7.	Hipot	Vrms	1.5			kV	
8.	Turms Ratio (Chip: Cable)	TX:1 :1 RX:1 :1					CT

HOW TO ORDER:

A 3 0 1 2 - U 1 S - S T 2 - 8 0 0 - X X - Z

LED OPTION TABLE:

OPTION	FORWARD	REVERSE
G	GREEN	-----
Y	YELLOW	-----
R	RED	-----
1	GREEN	ORANGE
2	YELLOW	ORANGE
3	GREEN	RED
4	YELLOW	RED
5	GREEN	YELLOW
6	YELLOW	GREEN
7	RED	GREEN
8	RED	YELLOW

SELECTIVE PLATING:

6 - Au CONTACT AREA/TIN TAIL
 7 - 15u" Au CONTACT AREA/TIN TAIL
 8 - 30u" Au CONTACT AREA/TIN TAIL
 9 - 50u" Au CONTACT AREA/TIN TAIL

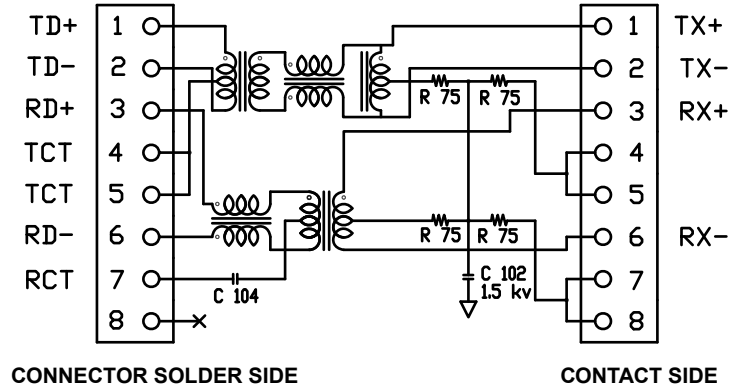
LED 1: LED 2:
 CHOOSE OPTION FROM TABLE

RoHS COMPLIANT

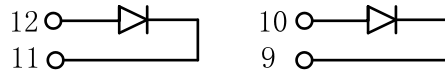
SMP TECHNOLOGY, INC.

RJ45 / USB, With Transformer Type 1, w/ LED, Shielded, EMI Spring Tabs

TRANSFORMER TYPE 1



CONNECTOR SCHEMATIC



LED SCHEMATIC

Specification :

Item	Parameter	Condition	Min.	Typ.	Max.	Unit	Remark
1.	Insertion loss	1-100 MHz			-1	dB	
2.	Return loss	1-30 MHz	-18			dB	
		30-60 MHz	-12			dB	
		60-80 MHz	-12			dB	
3.	Comm. To Diff. Rejection	100KHz-100MHz	-35			dB	
4.	Comm. To Comm. Rejection	-30 min@1MHz to 50Mhz -20 min@5MHz to 150Mhz					
5.	OCL	100KHz	350			uH	
6.	Crosstalk	100 KHz - 100 MHz	-35			dB	
7.	Hipot	Vrms	1.5			kV	
8.	Turms Ratio (Chip: Cable)	TX:1 :1 RX:1 :1					CT

HOW TO ORDER:

A 3 0 1 2 - U 1 S - S T 2 - 8 0 0 - X X - Z

LED OPTION TABLE:

OPTION	FORWARD	REVERSE
G	GREEN	-----
Y	YELLOW	-----
R	RED	-----
1	GREEN	ORANGE
2	YELLOW	ORANGE
3	GREEN	RED
4	YELLOW	RED
5	GREEN	YELLOW
6	YELLOW	GREEN
7	RED	GREEN
8	RED	YELLOW

SELECTIVE PLATING:

6 - Au CONTACT AREA/TIN TAIL
 7 - 15u" Au CONTACT AREA/TIN TAIL
 8 - 30u" Au CONTACT AREA/TIN TAIL
 9 - 50u" Au CONTACT AREA/TIN TAIL

LED 1: CHOOSE OPTION FROM TABLE
LED 2: CHOOSE OPTION FROM TABLE

RoHS COMPLIANT

SMP TECHNOLOGY, INC.

RJ45 / USB, With Transformer Type 1, w/ LED, Shielded, EMI Spring Tabs