



**DOE Level VI
Efficiency Compliant**

PZ 250 Series 200 Watts

AC/DC Switching Adapter- Single Output

FEATURES

- Meet DOE Level VI Efficiency Requirements
- 1 Year Warranty
- FCC Part 15 Class B, Compliance
- Safety Approvals, EMC compliance
- IEC 60950 / 2nd Edition
- Regulated Output with Low Ripple Noise
- Convection Cooling

ELECTRICAL SPECIFICATIONS

- Input range : 100-240 VAC (Full Range)
- Frequency : 50 - 60 Hz
- Power factor : ≥ 0.90 @115 VAC and 230 VAC, At Full Load
- Input current : 3.3 A Max.
- Efficiency : 88% @ average load 115/230 VAC
- Maximum power (Po) : 200W
- Inrush current : 120 A Max. / 230Vac (Cold Start at 25°C)
- Ripple & Noise : 190mV Max.
- Hold-up time : 10ms typical at full load @ 115VAC
- Protection : Over Voltage Protection(OVP)
Over Current Protection (OCP)
Short Circuit Protection (SCP)
Over Temperature Protection (OTP)



Dimension : L 204×W 94×H 44 mm

SAFETY STANDARDS

UL,CUL,GS, DSMI, PSE
TUV EN60950-1
CB IEC 60950-1

EMI STANDARDS

EN 55022 Class B
C E; FCC Class B

ENVIRONMENTAL

- Operating temperature : 0°C to +40°C Humidity 20% - 80%
- Storage temperature : -20°C to +80°C Humidity 10% - 90%
- MTBF : >300,000 hours (CalculatedHours at 25°C ambient temperature)

DC OUTPUT & FEATURES

Model	Output Rating		Po(Max.)	O/P Regulation	Ripple & Noise (Vp-p)	Efficiency Level
	Vo	Io (max)				
PZ250-12-X	12V	20.0 A	240W	5%	190mV	VI
PZ250-15-X	15V	16.66 A	250W	5%	190mV	VI
PZ250-19-X	19V	13.15 A	250W	5%	190mV	VI
PZ250-24-X	24V	10.42 A	250W	5%	190mV	VI
PZ250-48-X	48V	5.21 A	250W	5%	190mV	VI
PZ250-56-X	56V	4.46 A	250W	5%	190mV	VI

"X"= 0 No On/Off Power Switch

"X"= 1 With On/Off Power Switch

Note: 1. Ripple and Noise are measured at oscilloscope 20MHz bandwidth with a electrolytic 10uF and 0.1uF ceramic capacitor in parallel at the output connector.



SMP TECHNOLOGY, INC.

5900 Butler Lane, Scotts Valley, CA 95066

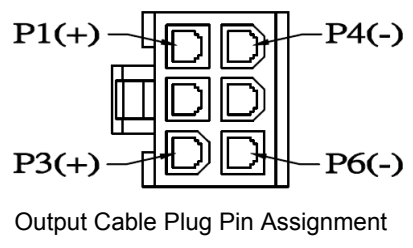
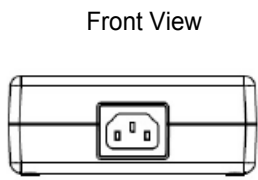
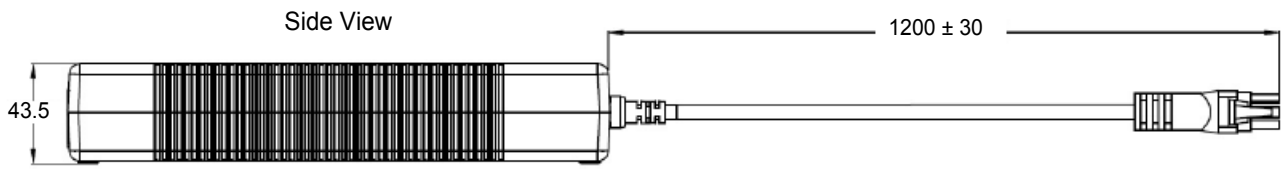
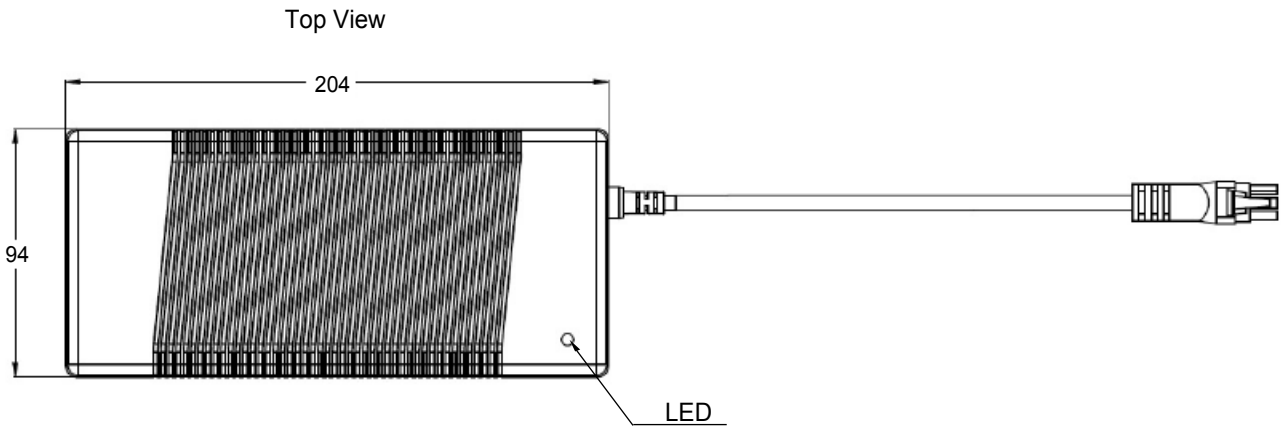
Tel : (831) 440-9191 Fax : (831) 427-7570

[http : //www.smp-tech.com](http://www.smp-tech.com)

E-Mail : sales@smp-tech.com

AC/DC Switching Adapter-Single Output

MECHANICAL SPECIFICATION



NOTES:

- CASE COLOR: Black
- AC INLET: IEC320-C14
- DC CABLE: UL2464 16AWG Length = 1200mm
- TOLERANCE: ± 0.5mm
- OUTPUT CONNECTOR: 6 Pin. Housing

